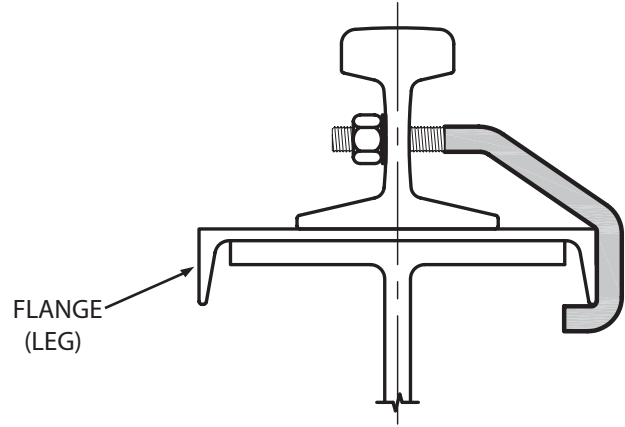
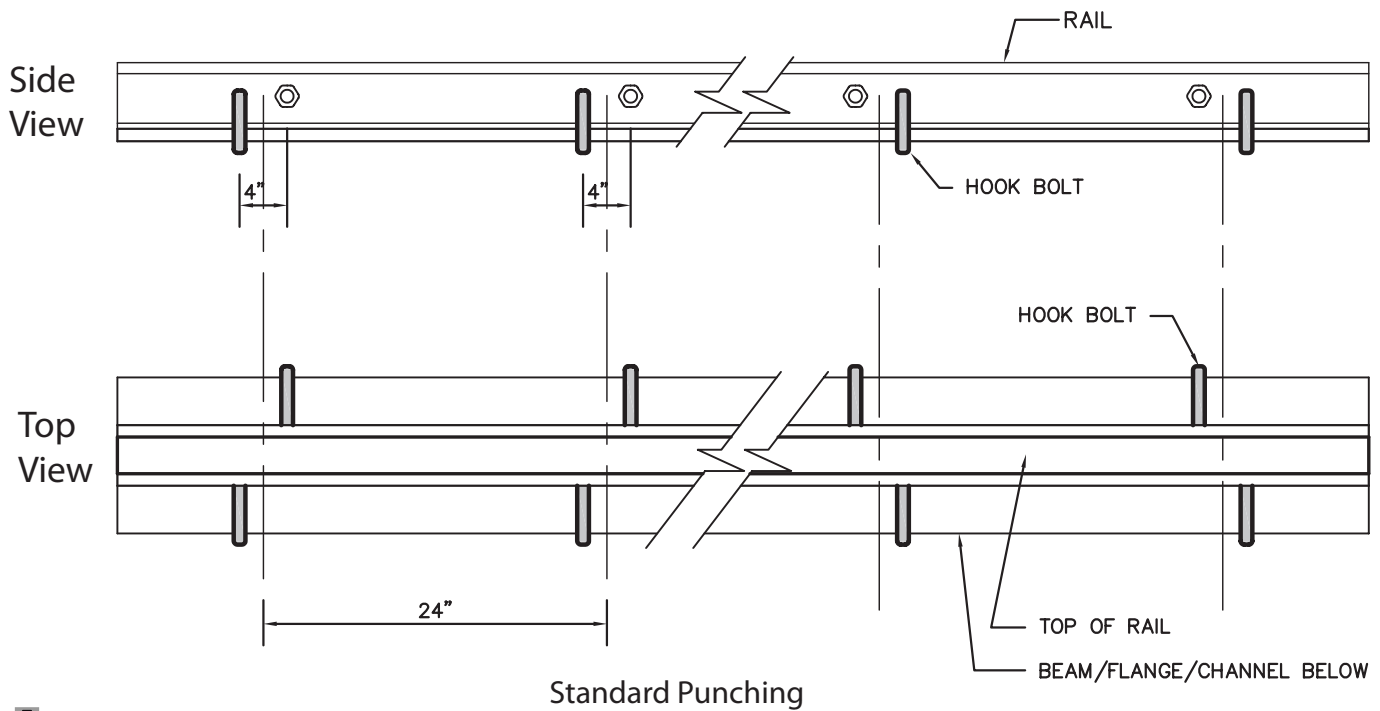


Wide Flange
Hook Bolt



Channel Cap
Hook Bolt



Standard Punching



Specifications required when ordering hook bolts:

- Rail Size
- Size of i-beam or cap channel on which the rail sits -
Minimum information required includes the width of the beam or channel surface and the length of the flange (leg).
- Hook Bolt diameter (generally determined by rail size unless specifically requested)

Rail Section and Size	Hook Bolt Diameter
12# ASCE - 25# ASCE	1/2"
30# ASCE	5/8"
40# ASCE - 60# ASCE	3/4"
80# ASCE - 100# AREA	7/8"
104# Crane Rail - 175# Crane Rail	1"