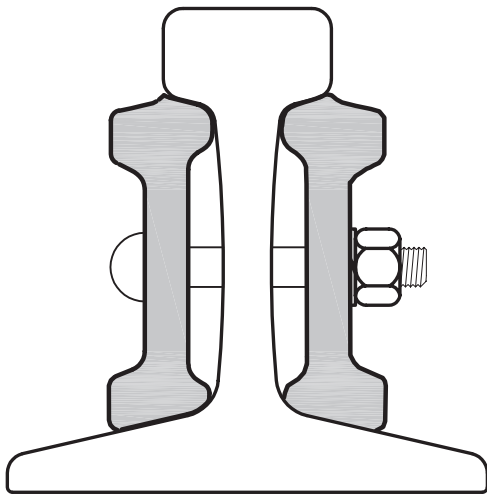


SPLICE BARS

Splice bars standard for crane runways
12# ASCE - 85# ASCE.



JOINT BARS

Joint bars standard for track material from 100#
through 132#.