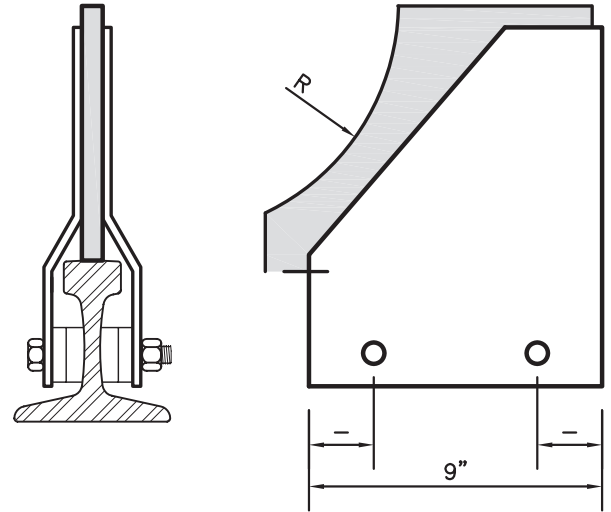
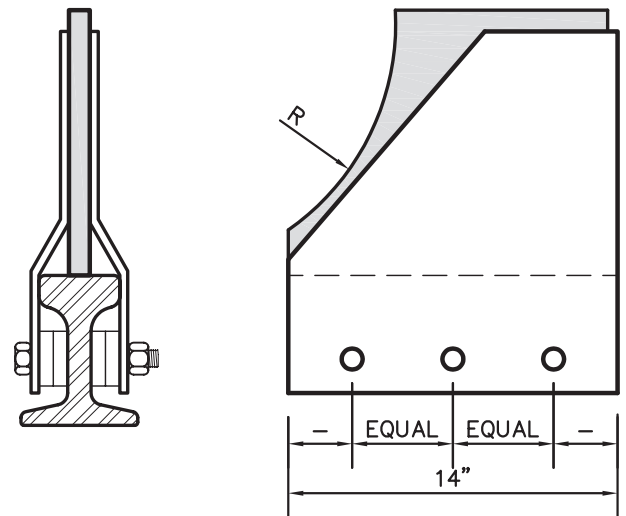


Adjustable



Standard Fixed

Measurements determined by rail size and diameter of crane wheel.



Heavy Duty Fixed

